

Firefighter locker COMFORT



Variants:

- 1, 2 or 3 compartments
- Compartment width 40 cm or 50 cm (max. 2 compartments)
- Execution with increased material thickness
- Different colour variants **see page 4**
- Lockable valuables compartment or open storage:



Equipment:

- 2 variably positionable stainless steel material hooks and 2 plastic hooks
- Oval clothes rail with 3 anti-twist aluminium hooks in each PPE compartment
- Indented helmet compartment with recess for kink-free storage of the neck protection
- For further optional accessories **see page 3**

Construction:

- Sturdy construction made of torsion-resistant, powder-coated quality sheet steel
- Material thickness corpus: 0.6 mm
- Material thickness of cupboard base / roof: 0.8 mm
- Smooth, easy-to-clean surfaces
- Ventilation slots on the upper edge of the cabinet and perforated cabinet base
- Height-adjustable feet (H 12 cm)
- Optional: base with plinth (H 12 cm), fixed feet (H 12 cm / H 15 cm), height-adjustable feet (H 15 cm) or without base (for wall assembly)

Doors:

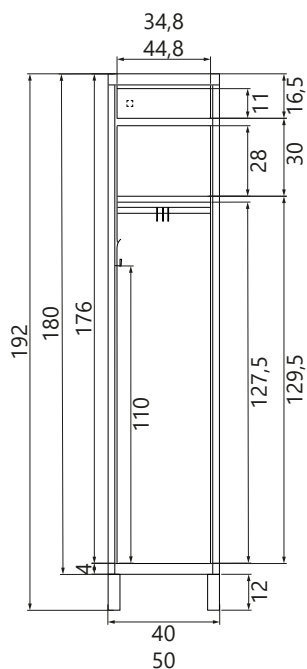
- Robust execution due to double bevelling
- Attached to sturdy stainless steel bolts
- Opening angle approx. 110°
- Material thickness: 1.0 mm
- Slot
- Rubber buffer for noise reduction
- Available locks **see page 4**

Classification of fire behaviour according to EN 13501-1

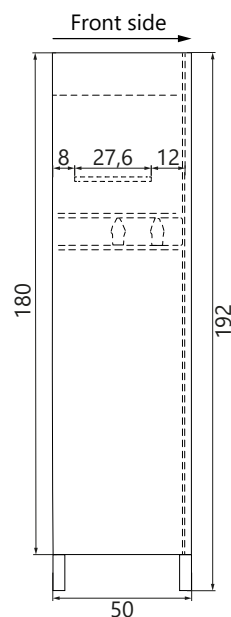
The firefighter locker is non-combustible and is assigned to European fire protection class **A2-s1, d0**.

Firefighter locker COMFORT

Technical drawings and dimensions:



Front view



Side view

Compartments	Item number	Outer dimension HxWxD in cm	Weight in kg	
				Standard execution
Safe deposit box	1	1172-010113-0400012	192 x 40 x 50	26
		1172-010113-0500012	192 x 50 x 50	30
	2	1172-020113-0800012	192 x 80 x 50	50
		1172-020113-1000012	192 x 100 x 50	
	3	1172-030113-1200012	192 x 120 x 50	64
	Open shelf	1	1172-010013-0400000	192 x 40 x 50
1172-010013-0500000			192 x 50 x 50	30
2		1172-020013-0800000	192 x 80 x 50	43
		1172-020013-1000000	192 x 100 x 50	
3		1172-030013-1200000	192 x 120 x 50	61

Accessories for firefighter locker COMFORT

flexible helmet holder
(H 24-29 cm)



galvanised boot grate



plastic shoe shell



stainless steel clothes hanger



compartment numbering



socket outlet in the private compartment



mobile substructure



rail system for wall assembly



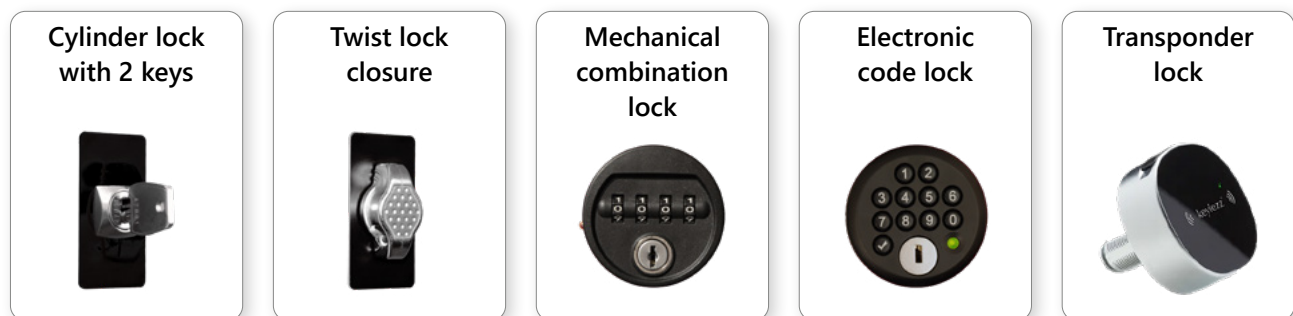
freestanding fire brigade benches



Locks and colours for firefighter lockers

Locks

The private and valuable compartments of the firefighter lockers can be equipped with various locks. We offer a wide range of different locks. The models shown are examples and only show one variant in each case.



Colour variants

All firefighter lockers are finished with a high-quality powder coating. The RAL colours listed below are available for painting the corpus and doors. To provide long-lasting corrosion protection, we also recommend additional galvanising.



Other colour variants are available at an extra charge.