

Firefighter locker DUO



Construction:

- Sturdy construction made of torsion-resistant, powder-coated quality sheet steel
- Material thickness corpus: 0.6 mm
- Material thickness of cupboard base / roof: 0.8 mm
- Smooth, easy-to-clean surfaces
- Ventilation slots on the upper edge of the cabinet and perforated cabinet base
- Height-adjustable feet (H 12 cm)
- Optional: base with plinth (H 12 cm), fixed feet (H 12 cm / H 15 cm), height-adjustable feet (H 15 cm) or without base (for wall assembly)

Variants:

- Private compartment width 20, 30 or 40 cm
- Execution with increased material thickness
- Different colour variants **see page 4**
- Private compartments with 2 shelves or clothes rail with hooks:



Equipment:

- 2 variably positionable stainless steel material hooks and 2 plastic hooks in each PPE compartment
- Oval clothes rail with 3 anti-twist aluminium hooks in each PPE compartment
- Indented helmet compartments with recess for kink-free storage of the neck protection
- For further optional accessories **see page 3**

Doors:

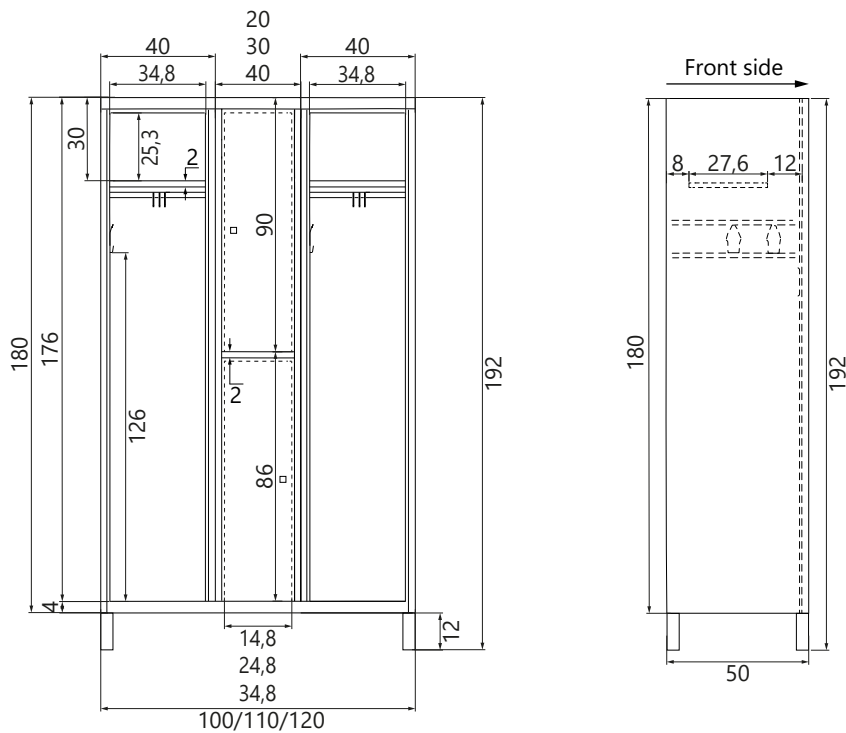
- Robust execution due to double bevelling
- Attached to sturdy stainless steel bolts
- Opening angle approx. 110°
- Material thickness of doors: 0.6 mm
- Slot
- Rubber buffer for noise reduction
- Available locks **see page 4**

Classification of fire behaviour according to EN 13501-1

The firefighter locker is non-combustible and is assigned to European fire protection class **A2-s1, d0**.

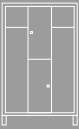
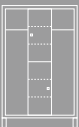
Firefighter locker DUO

Technical drawings and dimensions:



Front view

Side view of the PPE compartment

Variant	Item number	Outer dimension	Compartment widths PPE + private + PPE	Weight
	Standard execution	HxWxD in cm	W in cm	in kg
Clothes rail 	1172-030222-1000012	192x100x50	40 + 20 + 40	
	1172-030222-1100012	192x110x50	40 + 30 + 40	
	1172-030222-1200012	192x120x50	40 + 40 + 40	
Compartment shelves 	1172-030221-1000012	192x100x50	40 + 20 + 40	
	1172-030221-1100012	192x110x50	40 + 30 + 40	
	1172-030221-1200012	192x120x50	40 + 40 + 40	

Accessories for firefighter locker DUO

flexible helmet holder
(H 24-29 cm)



galvanised boot grate



plastic shoe shell



stainless steel clothes
hanger



compartment numbering



socket outlet in the
private compartment



mobile substructure



rail system for
wall assembly



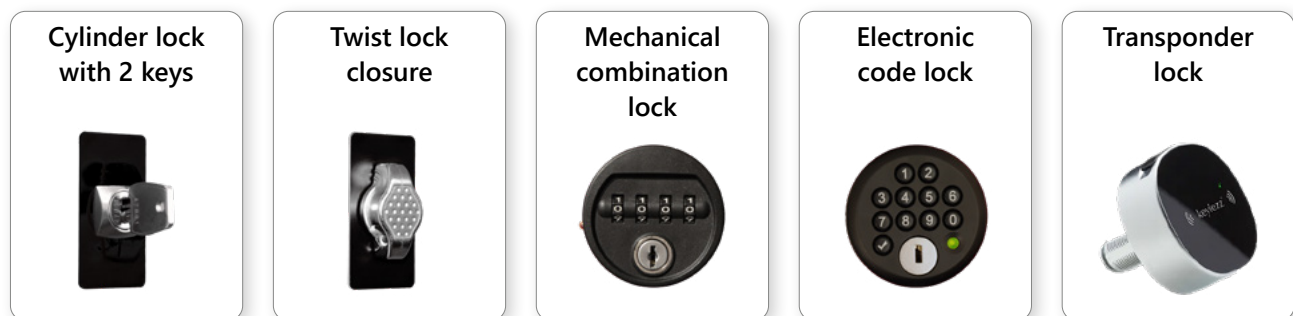
freestanding
fire brigade benches



Locks and colours for firefighter lockers

Locks

The private and valuable compartments of the firefighter lockers can be equipped with various locks. We offer a wide range of different locks. The models shown are examples and only show one variant in each case.



Colour variants

All firefighter lockers are finished with a high-quality powder coating. The RAL colours listed below are available for painting the corpus and doors. To provide long-lasting corrosion protection, we also recommend additional galvanising.



Other colour variants are available at an extra charge.