

Firefighter locker DAVIS and DAVIS Plus



Variants:

- Different compartment widths
- Execution with increased material thickness
- Different colour variants **see page 4**
- DAVIS with lockable valuables compartment, DAVIS Plus with full-length private compartment door



Equipment:

- 2 variably positionable stainless steel material hooks and 2 plastic hooks in the PPE compartment
- Oval clothes rail with 3 anti-twist aluminium hooks in the PPE compartment
- Indented helmet compartment with recess for kink-free storage of the neck protection
- Private compartment with storage shelf / valuables compartment, Clothes rail and hooks
- For further optional accessories **see page 3**

Construction:

- Sturdy construction made of torsion-resistant, powder-coated quality sheet steel
- Material thickness corpus: 0.6 mm
- Material thickness of cupboard base / roof: 0.8 mm
- Smooth, easy-to-clean surfaces
- Ventilation slots on the upper edge of the cabinet and perforated cabinet base
- Height-adjustable feet (H 12 cm)
- Optional: base with plinth (H 12 cm), fixed feet (H 12 cm / H 15 cm), height-adjustable feet (H 15 cm) or without base (for wall assembly)

Doors:

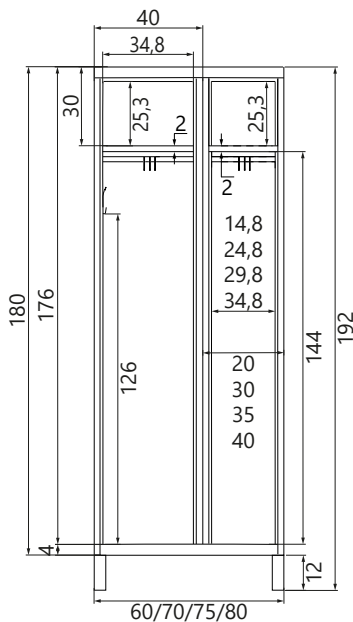
- Robust execution due to double bevelling
- Attached to sturdy stainless steel bolts
- Opening angle approx. 110°
- Material thickness: 1.0 mm (DAVIS), 0.6 mm (DAVIS Plus)
- Slot
- Rubber buffer for noise reduction
- Available locks **see page 4**

Classification of fire behaviour according to EN 13501-1

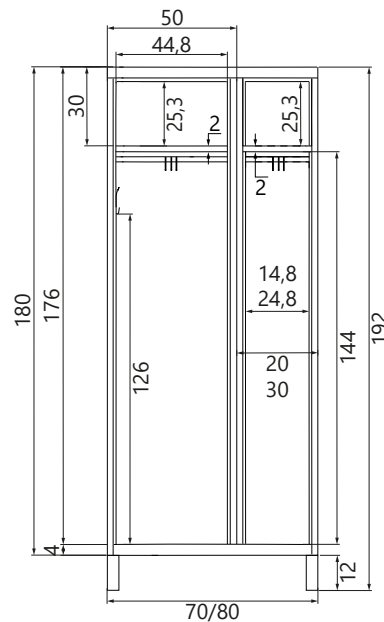
The firefighter locker is non-combustible and is assigned to European fire protection class **A2-s1, d0**.

Firefighter locker DAVIS and DAVIS Plus

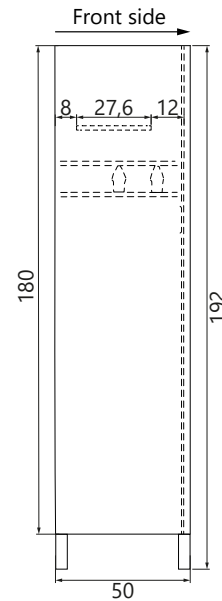
Technical drawings and dimensions:





PPE compartment width 40 cm



PPE compartment width 50 cm



Side view of PPE compartment

Variant	Item number	Outer dimension	Compartment widths PPE + private	Weight
	Standard execution	HxWxD in cm	W in cm	in kg
DAVIS 	1172-020119-0600011	192x60x50	40 + 20	32
	1172-020119-0700011	192x70x50	40 + 30	35
	1172-020119-0750011	192x75x50	40 + 35	40
	1172-020119-0800011	192x80x50	40 + 40	42
	1172-020119-0705011	192x70x50	50 + 20	35
	1172-020119-0805011	192x80x50	50 + 30	42
DAVIS Plus 	1172-020117-0600012	192x60x50	40 + 20	34
	1172-020117-0700012	192x70x50	40 + 30	38
	1172-020117-0750012	192x75x50	40 + 35	42
	1172-020117-0800012	192x80x50	40 + 40	46
	1172-020117-0705012	192x70x50	50 + 20	38
	1172-020117-0805012	192x80x50	50 + 30	46

Accessories for firefighter locker DAVIS (Plus)

flexible helmet holder
(H 24-29 cm)



galvanised boot grate



plastic shoe shell



stainless steel clothes hanger



compartment numbering



socket outlet in the private compartment



mobile substructure



rail system for wall assembly



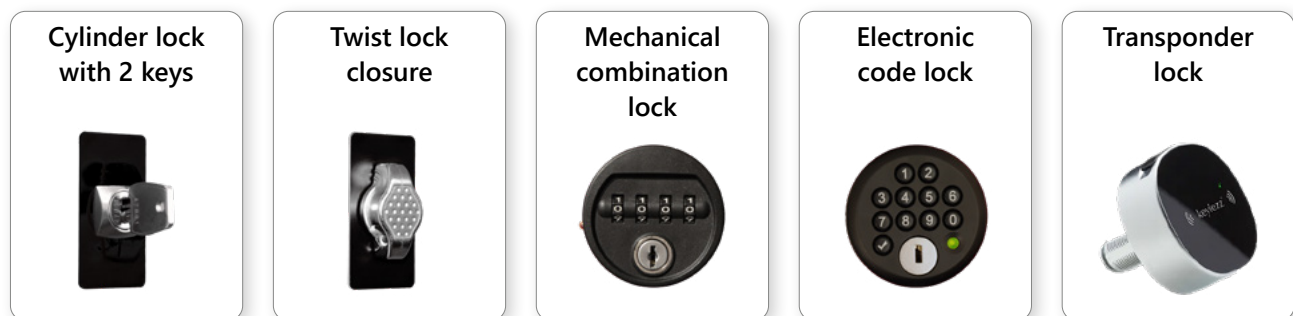
freestanding fire brigade benches



Locks and colours for firefighter lockers

Locks

The private and valuable compartments of the firefighter lockers can be equipped with various locks. We offer a wide range of different locks. The models shown are examples and only show one variant in each case.



Colour variants

All firefighter lockers are finished with a high-quality powder coating. The RAL colours listed below are available for painting the corpus and doors. To provide long-lasting corrosion protection, we also recommend additional galvanising.



Other colour variants are available at an extra charge.