

Firefighter coat rack FLEX



Variants:

- Compartment width 30 or 40 cm
- Different colour variants **see page 4**
- Execution for 2 or 4 people



Equipment:

- Depending on the execution, 2 or 4 ergonomic powder-coated steel helmet holder
- Per helmet holder: 2 metal hooks and 2 holes to accommodate a coat hanger
- Private compartments with clothes rail and hooks, additional hat shelf for execution for 2 persons
- Optional equipment options **see page 3**

Construction:

- Sturdy construction made of torsion-resistant, powder-coated quality sheet steel
- Heavy-duty crossbar made of 2 mm thick sheet steel
- Material thickness private compartment: 1.0 mm
- Smooth, easy-to-clean surfaces
- Ventilation slots on the upper edge of the cabinet, optional: perforated cabinet base
- Galvanised grating shoe shelf
- Substructure with plinth, optional: heightadjustable feet

Doors:

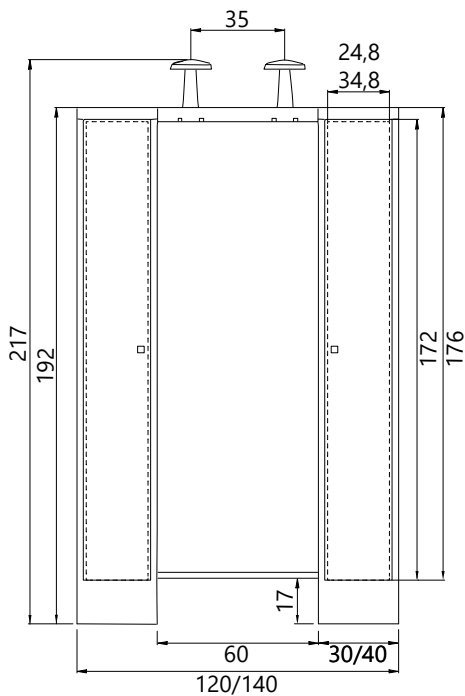
- Robust execution due to double bevelling
- Attached to sturdy stainless steel bolts
- Opening angle approx. 110°
- Material thickness: 1.0 mm
- Rubber buffer for noise reduction
- Available locks **see page 4**

Classification of fire behaviour according to EN 13501-1

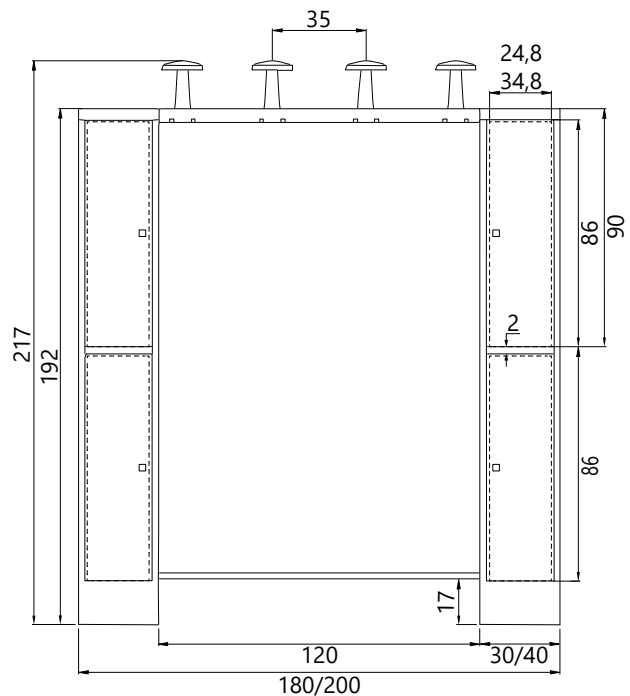
The firefighter coat rack is non-combustible and is assigned to European fire protection class **A2-s1, d0**.

Firefighter coat rack FLEX



Technical drawings and dimensions:



FLEX for 2 persons



FLEX for 4 persons

Number of Persons	Item number	Outer dimension	Private compartments	Grating / Traverse	Weight in kg
		HxWxD in cm	W in cm	W in cm	
 2	1173-020110-1201212	217x 120 x50	30	60*	70
	1173-020110-1401212	217x 140 x50	40	60*	
 4	1173-020210-1801212	217x 180 x50	30	120*	
	1173-020210-2001212	217x 200 x50	40	120*	

* Other widths are also available for grating / traverse on request.

Accessories for firefighter coat rack FLEX

plastic shoe shell



stainless steel clothes hanger



compartment numbering



socket outlet in the private compartment



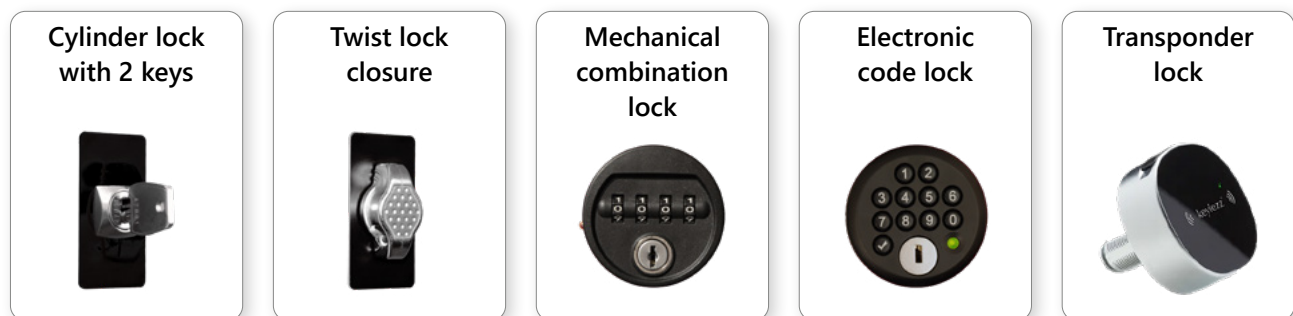
freestanding fire brigade benches



Locks and colours for firefighter lockers

Locks

The private and valuables compartments of the firefighter lockers can be equipped with various locks. We offer a wide range of different locks. The models shown are examples and only show one variant in each case.



Colour variants

All firefighter lockers are finished with a high-quality powder coating. The RAL colours listed below are available for painting the corpus and doors. To provide long-lasting corrosion protection, we also recommend additional galvanising.



Other colour variants are available at an extra charge.