

Mobile firefighter coat rack VELO



Variants:

- Different colour variants **see page 3**

Equipment:

- 3 fixed helmet holders (H 25 cm) made of powder-coated steel
- Optional: 3 foldable helmet holders (H 24-29 cm) made of powder-coated steel
- 6 stainless steel clothes hangers and 6 metal hooks each
- For further optional accessories **see page 3**

Construction:

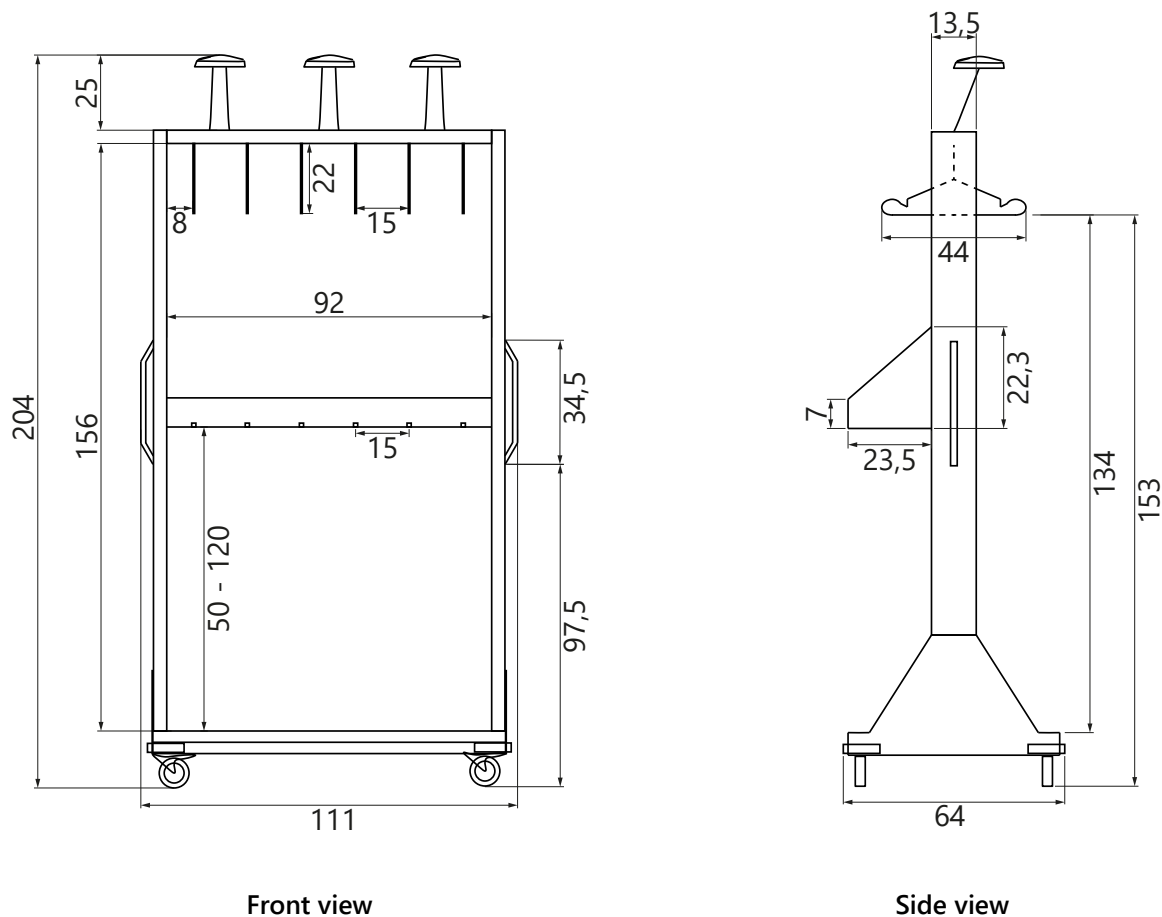
- Sturdy square frame construction made of torsion-resistant, powder-coated quality sheet steel
- Robust, galvanised boot grate
- Frame material thickness: 2.0 mm
- Material thickness of cover plates: 1.0 mm
- Height adjustable hook rail in 10 cm increments
- Four swivel castors with parking brake

Classification of fire behaviour according to EN 13501-1

The firefighter coat rack is non-combustible and is assigned to European fire protection class **A2-s1, d0**.


Mobile firefighter coat rack VELO

Technical drawings and dimensions:



Front view

Side view

	Item number	Helmet holder	Outer dimension HxWxD in cm	Weight in kg
	1173-030121-1001800	fixed	204x111x64	50
	1173-030122-1001800	flexible	203-208x111x64	

Optional accessories and colours for VELO

Equipment

Flexible helmet holder
(H 24-29 cm)



freestanding
fire brigade benches



Colour variants

The VELO mobile firefighter coat rack is finished with a high-quality powder coating. The RAL colours listed below are available for painting the frame. To provide long-lasting corrosion protection, we also recommend additional galvanising.

Fire red
3000

Gentian blue
5010

Pure orange
2004

Light blue
5012

Light grey
7035

Anthracite grey
7016

Other colour variants are available at an extra charge.